



TECHNICAL DATA SHEET

Project Name Catalog #
Comments Date

25W Wall-Mounted LED Barn Light

Benefits

- Over 50,000+ Hours L70 Rated, Save on maintenance, and Electricity Cost
- Easy installation, Comes with a Secure Wall-Mounting Plate, 54in. Wire
- Instant-On, No Humming, No Flickering
- Rated Operating Temperature -40°F + 122°F
- ETL/cETL & Energy Star Rated
- May Order With or Without Photocell
- Suitable for Outdoor and Wet Locations
- 5 Year HTM Lighting Solutions Warranty



Specifications

SKU	HTM-AS10-GN15-25W-30ZZ-BLK/BZ
Power	25W
Voltage Input	100-277VAC
Lumen Output	2000 lm
Color Temperature	3000K
CRI	>80
Operating Temperature	-40°F + 122°F
Warranty	5 Year Warranty
Lumen Maintenance (L70)	50,000+ Life Hours Rated
Product Dimensions	15.7" x 13.8" x 22" (LxWxH)



Applications



HTM Lighting Solutions
6420 Benjamin Road,
Tampa, FL 33634

sales@htm-lighting.com
Rev. V0717

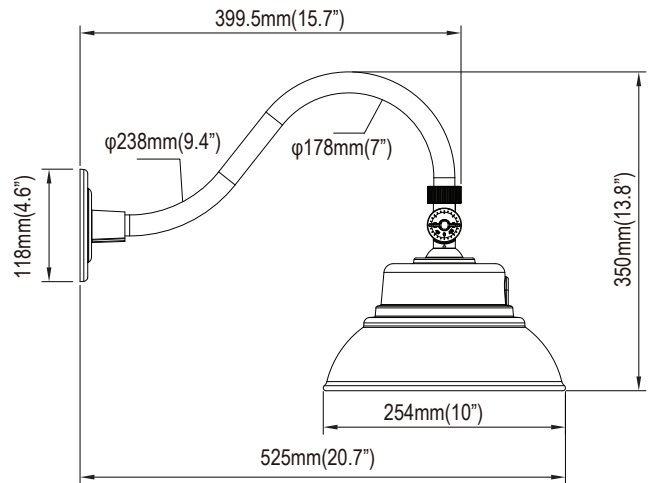
Tel: +1 (813) 649-8899
Fax: +1 (813) 425-9007
www.htm-lighting.com

TECHNICAL DATA SHEET

Project Name Catalog #
 Comments Date

25W Wall-Mounted LED Barn Light

Dimensions



Photometries

